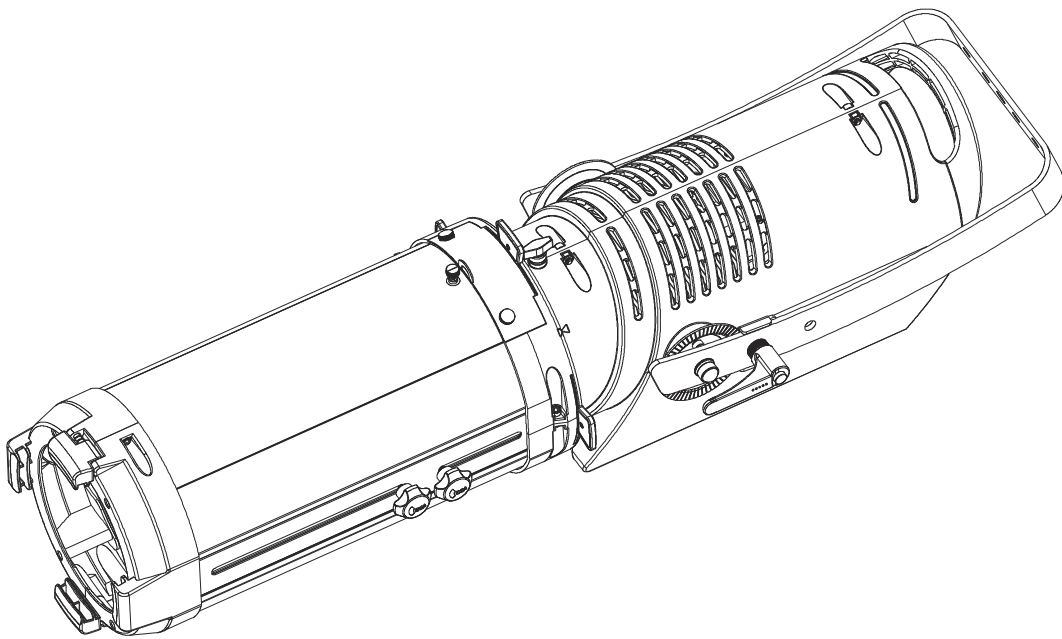


LEXPERT PROFILE L

Zoom 15-30 & Zoom 25-50
AG2300E41200 - AG2500E41200

PRELIMINARY



Congratulations on choosing a ADB product! We thank you for your custom.

Please note that this product, as all the others in the rich ADB range, has been designed and made with total quality to ensure excellent performance and best meet your expectations and requirements.

INDEX

1. SAFETY INSTRUCTION
2. TECHNICAL SPECIFICATIONS
3. THE UNIT CONSTRUCTION
4. INSTALLATION
5. POWER
6. CONTROL PANEL
7. MAIN FUNCTION
8. HOW TO CONTROL THE UNIT
 - 8.1 DMX Address Setting
 - 8.2 DMX Configuration
 - 8.3 DMX Connection
9. TROUBLESHOOTING
10. FIXTURE CLEANING

1. SAFETY INFORMATION

EN How to get your SAFETY INSTRUCTIONS in multilingual version.
You may always download the multilingual Safety Instruction manual for this ADB product from:
www.adbstagelight.com
Rif: FIS00X - Safety Information LEXPERT PROFILE L

IT Come ottenere le INFORMAZIONI DI SICUREZZA nella versione multilingue.
Puoi sempre scaricare la versione multilingue delle Informazioni di Sicurezza per questo prodotto ADB al seguente link:
www.adbstagelight.com
Rif: FIS00X - Safety Information LEXPERT PROFILE L

DE So erhalten Sie Ihr INFORMATIONEN ZUR SICHERHEIT in der mehrsprachigen Version.
Sie können die mehrsprachige Version des Handbuchs mit Sicherheitshinweisen für dieses ADB Produkt unter folgendem Link herunterladen:
www.adbstagelight.com
Rif: FIS00X - Safety Information LEXPERT PROFILE L

ES Cómo obtener tu INFORMACIONES DE SEGURIDAD en la versión multilingüe.
Siempre puedes descargar la versión multilingüe del Manual de Instrucciones de Seguridad para este producto ADB en el siguiente enlace.
www.adbstagelight.com
Rif: FIS00X - Safety Information LEXPERT PROFILE L

FR Comment obtenir votre CONSIGNES DE SÉCURITÉ dans la version multilingue.
Vous pouvez toujours télécharger la version multilingue du Manuel d'Instructions de Sécurité pour ce produit ADB au lien suivant :
www.adbstagelight.com
Rif: FIS00X - Safety Information LEXPERT PROFILE L

RU Где достать ИНСТРУКЦИЮ ПО ТЕХНИКЕ БЕЗОПАСНОСТИ на нескольких языках.
Вы всегда можете скачать многоязычную инструкцию по технике безопасности для данного изделия ADB по ссылке:
www.adbstagelight.com
Rif: FIS00X - Safety Information LEXPERT PROFILE L

Warning:

Please keep this User Guide for future consultation. If you sell the unit to another user, be sure that they also receive this instruction booklet.

- Unpack and check carefully there is no transportation damage before using the unit.
- The unit is for indoor use only. Use only in a dry location.
- The unit must be installed in a location with adequate ventilation, at least 50cm from adjacent surfaces. Be sure that no ventilation slots are blocked.
- Disconnect main power before replacement or servicing.
- Make sure there are no flammable materials close to the unit while operating as it is fire hazard.
- Use safety cable when fixes this unit. DO NOT handle the unit by taking its head only, but always by taking its base.
- In the event of serious operating problem, stop using the unit immediately. Never try to repair the unit by yourself. Repairs carried out by unskilled people can lead to damage or malfunction. Please contact the nearest authorized technical assistance center. Always use the same type spare parts.
- DO NOT touch any wire during operation as high voltage might be causing electric shock.
- To prevent or reduce the risk of electrical shock or fire, do not expose the unit to rain or moisture.
- DO NOT open the unit within five minutes after switching off.
- The housing, the lenses, or the ultraviolet filter must be replaced if they are visibly damaged.

- **Note: Use only the color gel that can resist high temperature. (> 300°C)**

Caution:

There are no user serviceable parts inside the unit. Do not open the housing or attempt any repairs yourself. In the unlikely event your unit may require service, please contact your nearest dealer.

Installation:

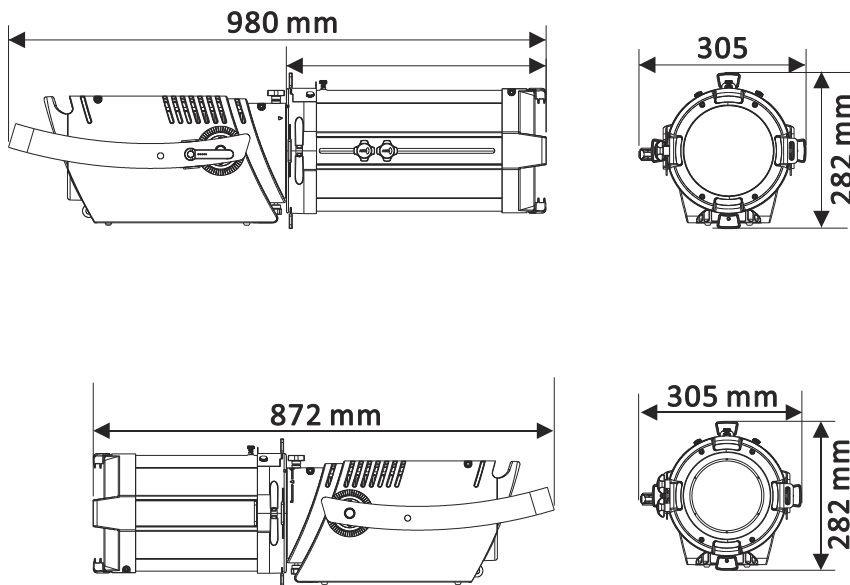
The unit should be mounted via its screw holes on the bracket. Always ensure that the unit is firmly fixed to avoid vibration and slipping while operating. And make sure that the structure to which you are attaching the unit is secure and is able to support a weight of 10 times of the unit's weight. Also always use a safety cable that can hold 12 times of the weight of the unit when installing the fixture.

The equipment must be fixed by the professionals. And it must be fixed at a place where is out of the touch of people and has no one pass by or under it.

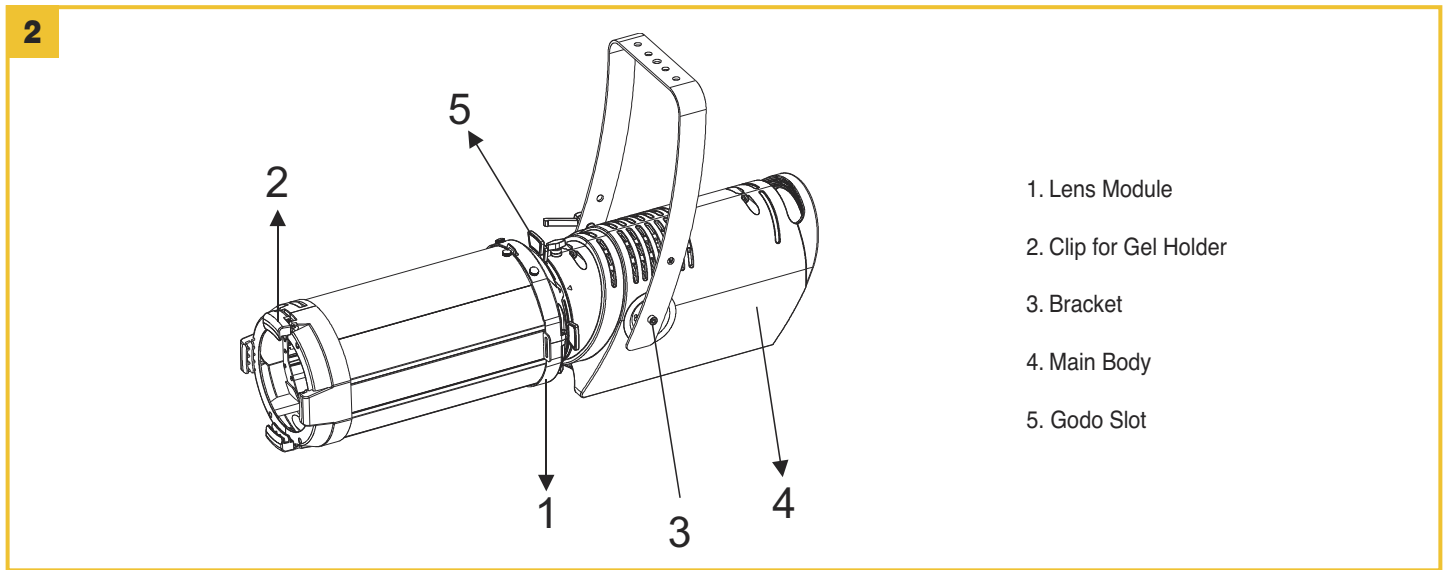
2. TECHNICAL SPECIFICATIONS

- DMX Control: 5 Channel Modes:
 - Mode 1: **8 bit** dimming
 - Mode 2: **8 bit** dimming + **Strobe**
 - Mode 3: **16 bit** dimming
 - Mode 4: **16 bit** dimming + **Strobe**
 - Mode 5: **16 bit** dimming + **Strobe** + **Control**
- Control Modes: DMX 512, ArtNET, RDM, Web page, Master/Slave and local.
- Zoom Options: 15°~ 30°
25°~ 50°
- 0% ~ 100% linear dimming
- Variable Strobe Effects
- **Input Voltage:** AC 100 ~240V, 50/60Hz
- **Power Consumption:** 345W@230V AC
- **Light Sources:** 1 × 280W WW LED
1 × 280W CW LED
- **CCT:** 3100K ± 150K
5600K ± 200K
- **IP Rating:** IP20
- **WW CRI:** Ra≥90
- **CW CRI:** Ra≥85
- **Weight:**
Body+zoom 15°~ 30°: 18.4kgs
Body+zoom 25°~ 50°: 17.9kgs
- **Dimension**
Body+zoom 15°~ 30° 980 x305 x 282mm
Body+zoom 25°~ 50° 872 x305 x 282mm

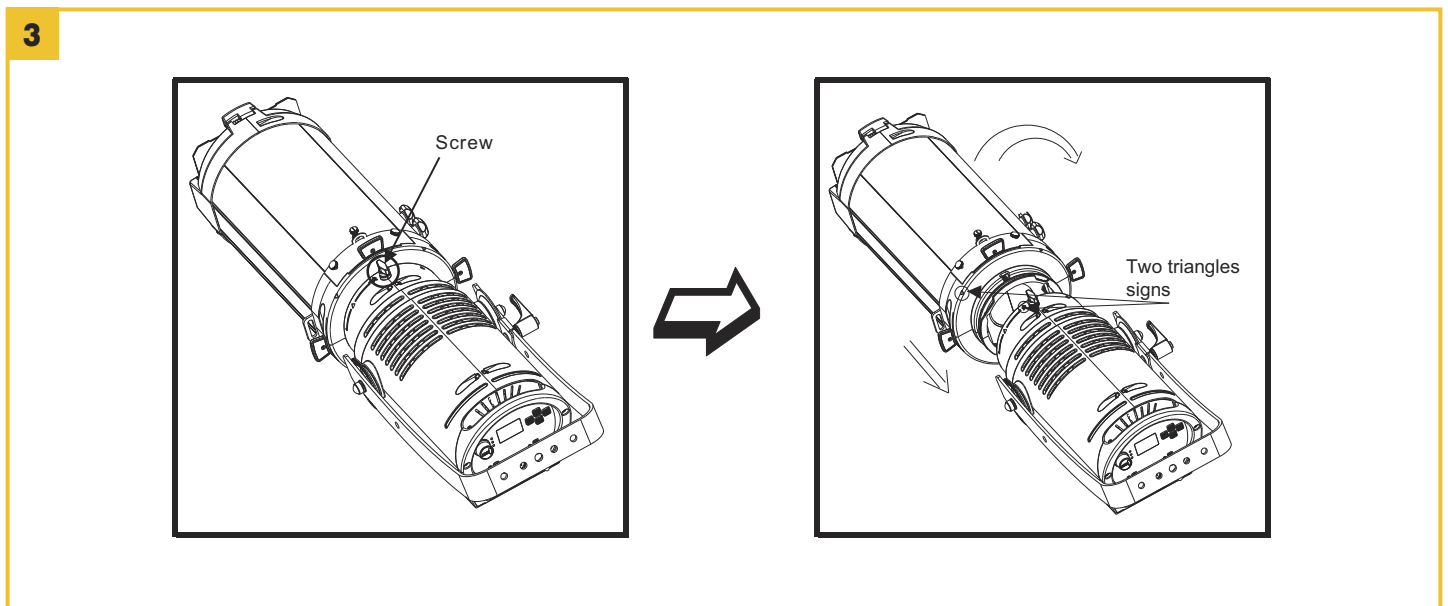
1



3. THE UNIT CONSTRUCTION

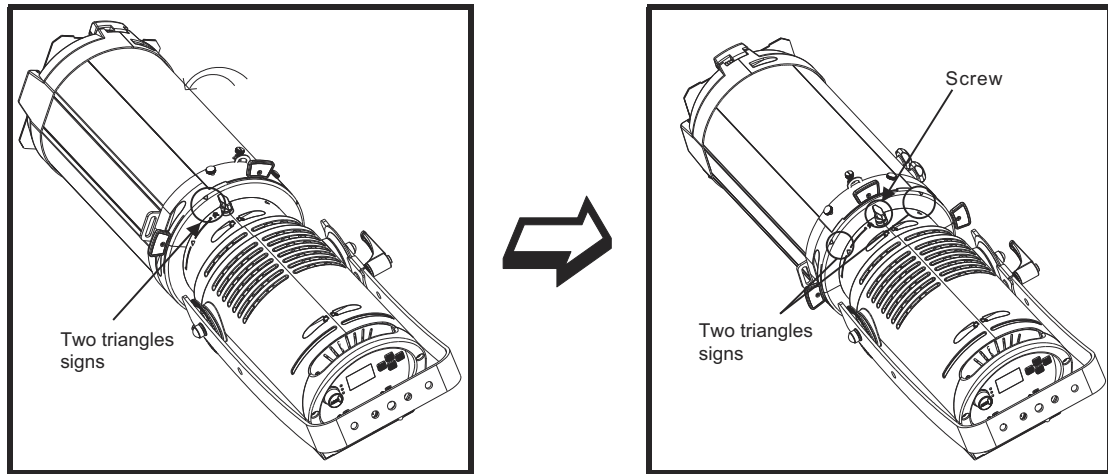


4. INSTALLATION



Loosen two screws on two sides of Main Body (MB), rotate the zoom as the arrow and align it with two triangles signs, put the zoom into the MB - Fig. 3

4



Rotate the zoom as the arrow shown, align it with two triangles sign, and tighten the two screws on two sides of the unit to fix the zoom - **Fig. 4**

5. POWER

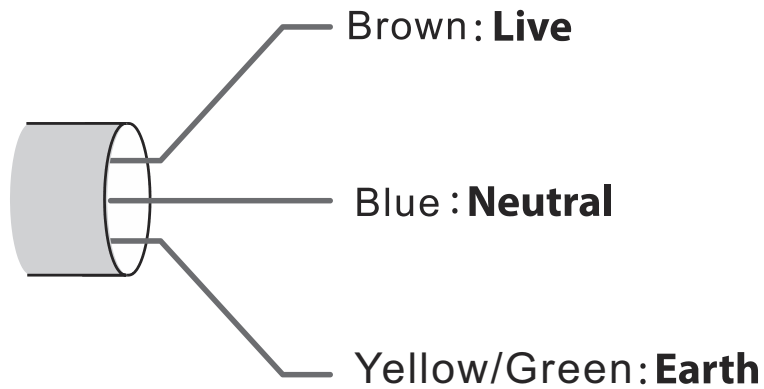
The power requirements are as follows:

Voltage: AC100-240V, 50/60Hz

Power: 345W

The fixture is supplied with a power cable (14 AWG brown and blue cables) installed ready for connection.

5



Power cord colors - **Fig. 5**

Lock out power to the installation.

Connect the conductors in the power cable to the distribution circuit as follows:

Connect the brown wire to live (one phase).

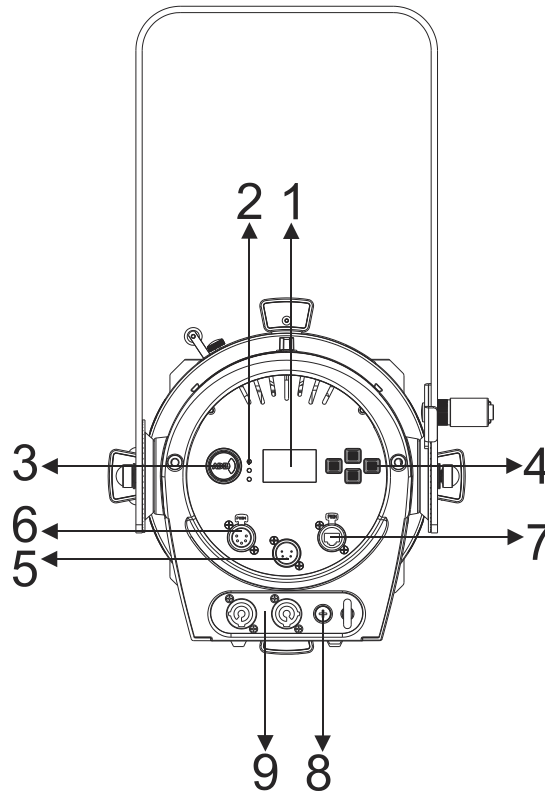
Connect the blue wire to neutral.

Connect the yellow wire to ground (earth).

Check that all installation is completed and carry out appropriate tests and safety checks before applying power.

6. CONTROL PANEL

6



1. **Display:** To show the various menus and the selected functions.

2. **LED:**

| | | |
|---------------|----|-------------------|
| MASTER | On | Master Mode |
| SLAVE | On | Slave Mode |
| DMX | On | DMX input present |

3. **Dimmer Adjust Knob:** Adjust the lightness for the unit

4. **Button:**

| | |
|--------------|--|
| MENU | To select the programming functions |
| DOWN | To go backward in the selected functions |
| UP | To go forward in the selected functions |
| ENTER | To confirm the selected functions |

5. **DMX IN:** For DMX512 link, use 5-pin XLR cable to link the unit and the DMX controller;

6. **DMX OUT:** For DMX512 link, use 5-pin XLR cable to link the next unit and output DMX signal;

7. **ETHERNET:** Transfers fixture's information to a main controller

8. **Fuse (T 6.3A):** To protect the unit from damage of over current;

9. **MAINS IN/OUT:** PowerCon connection from main power supply or to the next unit;

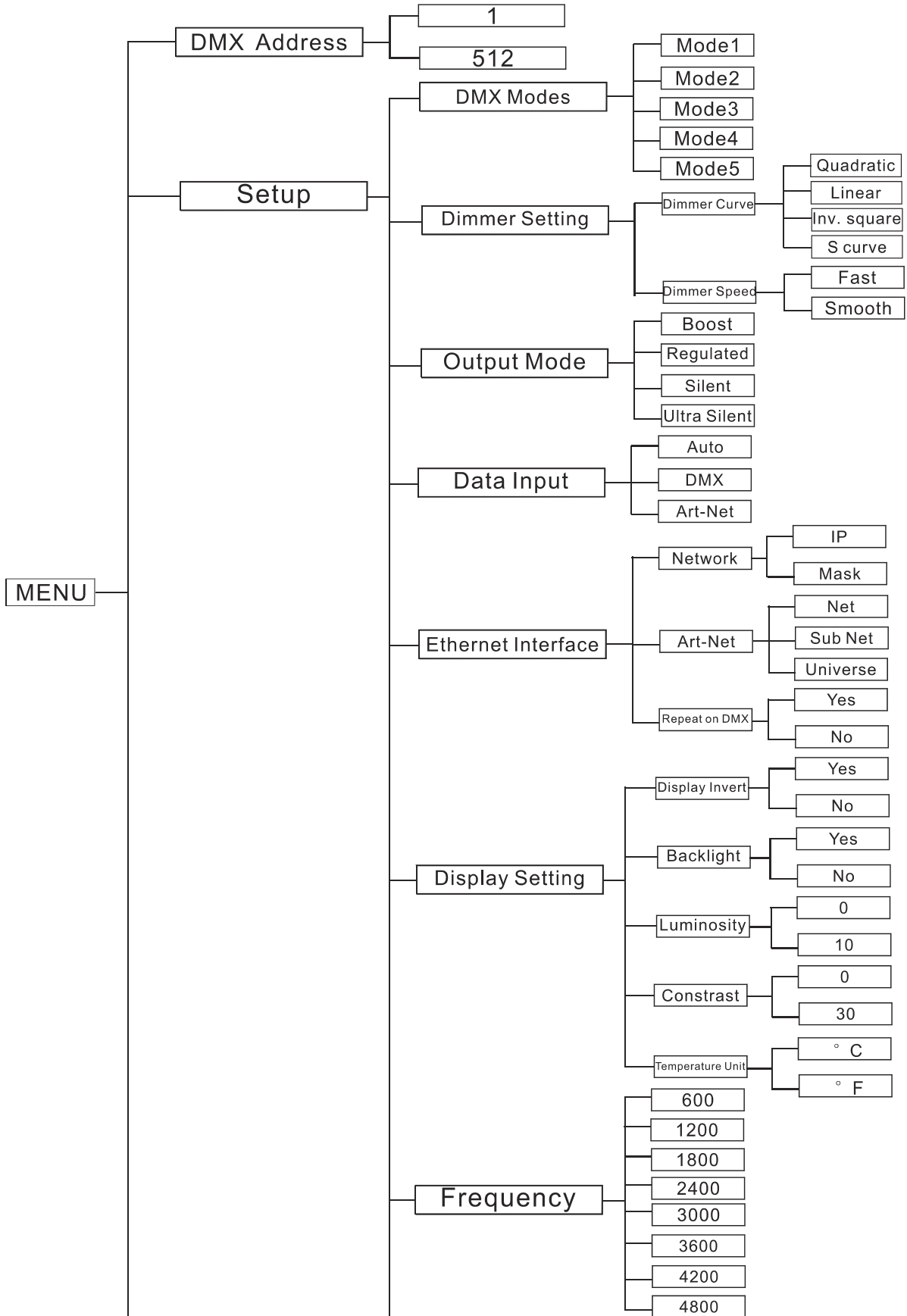
7. MAIN FUNCTION

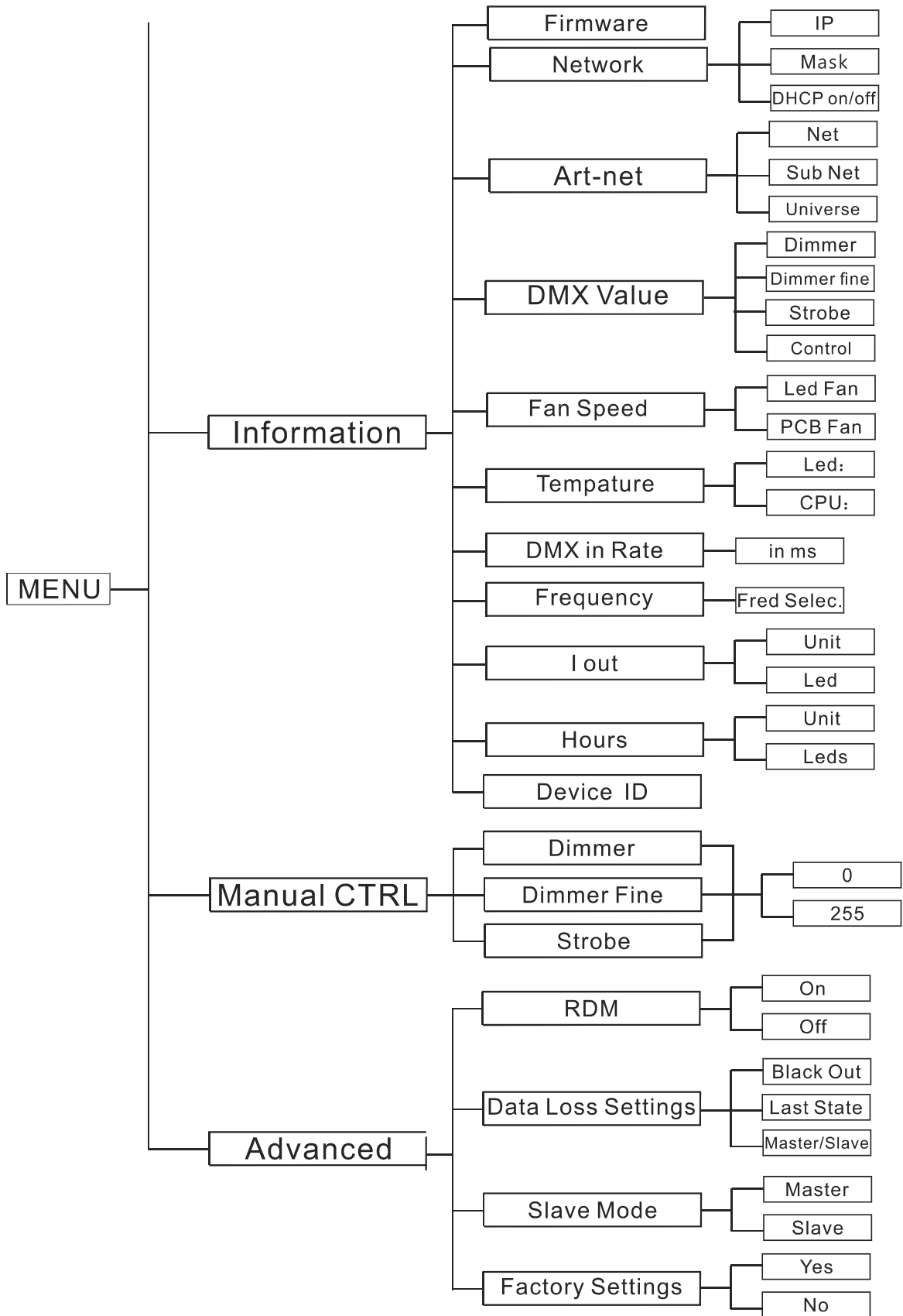
To select any functions, press the **MENU** button until the required function is showing on the display.

Select the function by pressing the **ENTER** button and the display will blink. Use the **DOWN** and **UP** button to change the mode.

Once the required mode has been selected, press the **ENTER** button to setup to go back to the functions without any changes press the **MENU** button again.

Hold and press the **MENU** button for one second or wait for one minute to exit the menu mode. The main functions are shown below:





DMX Address

To select the **DMX Address**, press the **ENTER** button to show **DMX ADDRESS** on the display. Use the **DOWN/UP** button to adjust the address from 1 to 512. Once the address has been selected, press the **ENTER** button to setup, to go back to the functions without any changes press the **MENU** button again. Hold and press the **MENU** button for one second or wait for one minute to exit the menu mode.

Setup

To select **Setup** press the **ENTER** button to confirm, use the **UP/DOWN** button to select **DMX Modes, Dimmer Settings, Output Modes, Data Input, Ethernet Interface, Display Setting** or **Frequency**.

DMX Modes

To select the **DMX Modes**, press the **ENTER** button to show **DMX Modes** on the display. Use the **DOWN/UP** button to select the **Mode1, Mode2, Mode3, Mode4** or **Mode5**. Once the mode has been selected, press the **ENTER** button to setup, to go back to the functions without any changes press the **MENU** button again. Hold and press the **MENU** button for one second or wait for one minute to exit the menu mode.

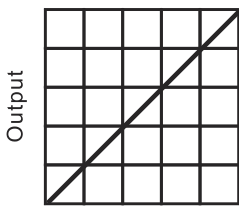
Dimmer Settings

To select the **Dimmer Settings**, press the **ENTER** button to show **Dimmer Settings** on the display. Use the **DOWN/UP** button to select the **Dimmer Curve** or **Dimmer Speed**. Once the mode has been selected, press the **ENTER** button to setup, to go back to the functions without any changes press the **MENU** button again. Hold and press the **MENU** button for one second or wait for one minute to exit the menu mode.

Dimmer Curve

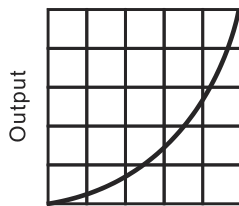
To select the **Dimmer Curve**, press the **ENTER** button to show **Dimmer Curve** on the display. Use the **DOWN/UP** button to select the **Quadratic, Linear, Inv.square** or **S Curve**. Once the mode has been selected, press the **ENTER** button to setup, to go back to the functions without any changes press the **MENU** button again. Hold and press the **MENU** button for one second or wait for one minute to exit the menu mode.

DIMMER CURVES



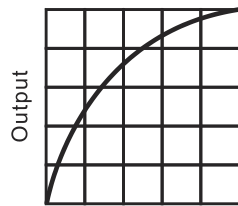
DMX %

Linear



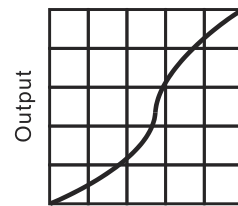
DMX %

Quadratic



DMX %

Inverse Square



DMX %

S-curve

Curve 1 - Linear:

The increase in light intensity appears to be linear as DMX value is increased.

Curve 2 - Quadratic:

Light intensity control is finer at low levels and coarser at high levels.

Curve 3 - Inverse Square:

Light intensity control is coarser at low levels and finer at high levels.

Curve 4 - (S-curve):

Light intensity control is finer at low levels and high levels and coarser at medium levels.

Dimmer Speed

To select the **Dimmer Speed**, press the **ENTER** button to show **Dimmer Speed** on the display. Use the **DOWN/UP** button to select the **Fast** or **Smooth**. Once the mode has been selected, press the **ENTER** button to setup, to go back to the functions without any changes press the **MENU** button again. Hold and press the **MENU** button for one second or wait for one

Output Modes

To select the **Output Modes**, press the **ENTER** button to show **Output Modes** on the display. Use the **DOWN/UP** button to select the **Boost, Regulated, Silent** or **Ultra Silent**. Once the mode has been selected, press the **ENTER** button to setup, to go back to the functions without any changes press the **MENU** button again. Hold and press the **MENU** button for one second or wait for one minute to exit the menu mode.

Data Input

To select the **Data Input**, press the **ENTER** button to show **Data Input** on the display. Use the **DOWN/UP** button to select the **Auto, DMX** or **Art-Net**. Once the mode has been selected, press the **ENTER** button to setup, to go back to the functions without any changes press the **MENU** button again. Hold and press the **MENU** button for one second or wait for one minute to exit the menu mode.

Ethernet interface

To select the **Ethernet Interface**, press the **ENTER** button to show **Ethernet Interface** on the display. Use the **DOWN/UP** button to select the **Network, Art-net** or **Repeat on DMX**. Once the mode has been selected, press the **ENTER** button to setup, to go back to the functions without any changes press the **MENU** button again. Hold and press the **MENU** button for one second or wait for one minute to exit the menu mode.

Network

To select the **Network**, press the **ENTER** button to show **Network** on the display. Use the **DOWN/UP** button to select the **IP** or **Mask**. Once the mode has been selected, press the **ENTER** button to setup, to go back to the functions without any changes press the **MENU** button again. Hold and press the **MENU** button for one second or wait for one minute to exit the menu mode.

Art-net

To select the **Art-net**, press the **ENTER** button to show **Art-net** on the display. Use the **DOWN/UP** button to select the **Net**, **Sub Net** or **Universe**. Once the mode has been selected, press the **ENTER** button to setup, to go back to the functions without any changes press the **MENU** button again. Hold and press the **MENU** button for one second or wait for one minute to exit the menu mode.

Repeat on DMX

To select the **Repeat on DMX**, press the **ENTER** button to show **Repeat on DMX** on the display. Use the **DOWN/UP** button to select the **Yes** or **No**. Once the mode has been selected, press the **ENTER** button to setup, to go back to the functions without any changes press the **MENU** button again. Hold and press the **MENU** button for one second or wait for one minute to exit the menu mode.

Display Settings

To select the **Display Settings** press the **ENTER** button to confirm, use the **UP/DOWN** button to select **Display Inverse**, **Black Light Auto**, **Off Luminosity**, **Contrast** or **Temperature Unit**.

Display Inverse

To select the **Display Inverse**, press the **ENTER** button to show **Display Inverse** on the display. Use the **DOWN/UP** button to select the **Yes** or **No**. Once the mode has been selected, press the **ENTER** button to setup, to go back to the functions without any changes press the **MENU** button again. Hold and press the **MENU** button for one second or wait for one minute to exit the menu mode.

Black Light Auto

To select the **Black Light Auto**, press the **ENTER** button to show **Black Light Auto** on the display. Use the **DOWN/UP** button to select the **Yes** or **No**. Once the mode has been selected, press the **ENTER** button to setup, to go back to the functions without any changes press the **MENU** button again. Hold and press the **MENU** button for one second or wait for one minute to exit the menu mode.

Off Luminosity

To select the **Off Luminosity**, press the **ENTER** button to show **Off Luminosity** on the display. Use the **DOWN/UP** button to adjust Luminosity from **1** to **10**. Once the mode has been selected, press the **ENTER** button to setup, to go back to the functions without any changes press the **MENU** button again. Hold and press the **MENU** button for one second or wait for one minute to exit the menu mode.

Contrast

To select the **Contrast**, press the **ENTER** button to show **Inverted** on the display. Use the **DOWN/UP** button to adjust Contrast from **1** to **30**. Once the mode has been selected, press the **ENTER** button to setup, to go back to the functions without any changes press the **MENU** button again. Hold and press the **MENU** button for one second or wait for one minute to exit the menu mode.

Temperature Unit

To select the **Temperature Unit**, press the **ENTER** button to show the **Temperature Unit** on the display. Use the **DOWN/UP** button to select the **°C** or **°F**. Once the mode has been selected, press the **ENTER** button to setup, to go back to the functions without any change press the **MENU** button again. Press and hold the **MENU** button about one second or wait for one minute to exit the menu mode.

Frequency

To select the **Frequency**, press the **ENTER** button to show the **Frequency** on the display. Use the **DOWN/UP** button to select the **600Hz**, **1200Hz**, **1800Hz**, **2400Hz**, **3000Hz**, **3600Hz**, **4200Hz**, **4800Hz**. Once the mode has been selected, press the **ENTER** button to setup, to go back to the functions without any change press the **MENU** button again. Press and hold the **MENU** button about one second or wait for one minute to exit the menu mode.

Informations

To select the **Informations** press the **ENTER** button to confirm, use the **UP/DOWN** button to select **Firmware**, **Network**, **Art-net**, **DMX Value**, **Fan Speed**, **DMX in Rate**, **Frequency**, **I out**, **Hours** or **Device ID**.

Firmware

To select the **Firmware**, press the **ENTER** button to show **Firmware** on the display and the display will show the version of software of the unit. To go back to the functions without any changes press the **MENU** button again. Hold and press the **MENU** button for one second or wait for one minute to exit the menu mode.

Network

To select the **Network**, press the **ENTER** button to show **Network** on the display. Use the **DOWN/UP** button to select the **IP**, **Mask** or **DHCP on/off**. Once the mode has been selected, press the **ENTER** button to setup, to go back to the functions without any changes press the **MENU** button again. Hold and press the **MENU** button for one second or wait for one minute to exit the menu mode.

Art-net

To select the **Art-net**, press the **ENTER** button to show **Art-net** on the display. Use the **DOWN/UP** button to select the **Net**, **Sub Net** or **Universe**. Once the mode has been selected, press the **ENTER** button to setup, to go back to the functions without any changes press the **MENU** button again. Hold and press the **MENU** button for one second or wait for one minute to exit the menu mode.

DMX Value

To select the **DMX Value**, press the **ENTER** button to show **DMX Value** on the display. Use the **DOWN/UP** button to select the **Dimmer**, **Dimmer Fine**,

Strobe or Control. Once the mode has been selected, press the **ENTER** button to setup, to go back to the functions without any changes press the **MENU** button again. Hold and press the **MENU** button for one second or wait for one minute to exit the menu mode.

Fan Speed

To select the **Fan Speed**, press the **ENTER** button to show **Fan Speed** on the display. Use the **DOWN/UP** button to select the **Led Fan** or **PCB Fan**. Once the mode has been selected, press the **ENTER** button to setup, to go back to the functions without any changes press the **MENU** button again. Hold and press the **MENU** button for one second or wait for one minute to exit the menu mode.

Temperature

To select the **Temperature**, press the **ENTER** button to show the **Temperature** on the display. Use the **DOWN/UP** button to select the **Led** or **CPU**. Once the mode has been selected, press the **ENTER** button to setup, to go back to the functions without any change press the **MENU** button again. Press and hold the **MENU** button about one second or wait for one minute to exit the menu mode.

DMX in Rate

To select the **DMX in Rate**, press the **ENTER** button to show **DMX in Rate** on the display. Use the **DOWN/UP** button to select **In ms**. Once the mode has been selected, press the **ENTER** button to setup, to go back to the functions without any changes press the **MENU** button again. Hold and press the **MENU** button for one second or wait for one minute to exit the menu mode.

Frequency

To select the **Frequency**, press the **ENTER** button to show **Frequency** on the display. Use the **DOWN/UP** button to select **Freq Selec**. Once the mode has been selected, press the **ENTER** button to setup, to go back to the functions without any changes press the **MENU** button again. Hold and press the **MENU** button for one second or wait for one minute to exit the menu mode.

I out

To select the **I out**, press the **ENTER** button to show **I out** on the display. Use the **DOWN/UP** button to select the **Unit** or **Led**. Once the mode has been selected, press the **ENTER** button to setup, to go back to the functions without any changes press the **MENU** button again. Hold and press the **MENU** button for one second or wait for one minute to exit the menu mode.

Hours

To select the **Hours**, press the **ENTER** button to show **I out** on the display. Use the **DOWN/UP** button to select the **Unit** or **Leds**. Once the mode has been selected, press the **ENTER** button to setup, to go back to the functions without any changes press the **MENU** button again. Hold and press the **MENU** button for one second or wait for one minute to exit the menu mode.

Device ID

To select the **Device ID**, press the **ENTER** button to show **Device ID** on the display and the display will show the Device ID of the unit. To go back to the functions without any changes press the **MENU** button again. Hold and press the **MENU** button for one second or wait for one minute to exit the menu mode.

Manual CTRL

To select the **Manual CTRL** press the **ENTER** button to confirm, use the **UP/DOWN** button to select **Dimmer**, **Dimmer Fine** or **Strobe**.

Dimmer

To select the **Dimmer**, press the **ENTER** button to show **Dimmer** on the display. Use the **DOWN/UP** button to adjust Dimmer from **0** to **255**. Once the mode has been selected, press the **ENTER** button to setup, to go back to the functions without any changes press the **MENU** button again. Hold and press the **MENU** button for one second or wait for one minute to exit the menu mode.

Dimmer Fine

To select the **Dimmer Fine**, press the **ENTER** button to show **Dimmer Fine** on the display. Use the **DOWN/UP** button to adjust Dimmer from **0** to **255**. Once the mode has been selected, press the **ENTER** button to setup, to go back to the functions without any changes press the **MENU** button again. Hold and press the **MENU** button for one second or wait for one minute to exit the menu mode.

Strobe

To select the **Strobe**, press the **ENTER** button to show **Strobe** on the display. Use the **DOWN/UP** button to adjust Dimmer from **0** to **255**. Once the mode has been selected, press the **ENTER** button to setup, to go back to the functions without any changes press the **MENU** button again. Hold and press the **MENU** button for one second or wait for one minute to exit the menu mode.

Advanced

To select the **Advanced** press the **ENTER** button to confirm, use the **UP/DOWN** button to select **RDM**, **Data Loss Settings**, **Slave Mode** or **Factory Settings**

RDM

To select the **RDM**, press the **ENTER** button to show **RDM** on the display. Use the **DOWN/UP** button to select the **On** or **Off**. Once the mode has been selected, press the **ENTER** button to setup, to go back to the functions without any changes press the **MENU** button again. Hold and press the **MENU** button for one second or wait for one minute to exit the menu mode.

Data Loss Settings

To select the **Data Loss Settings**, press the **ENTER** button to show **Data Loss Settings** on the display. Use the **DOWN/UP** button to select the **Black Out**, **Last State** or **Master/Slave**. Once the mode has been selected, press the **ENTER** button to setup, to go back to the functions without any changes press the **MENU** button again. Hold and press the **MENU** button for one second or wait for one minute to exit the menu mode.

Slave Mode

To select the **Slave Mode**, press the **ENTER** button to show **Slave Mode** on the display. Use the **DOWN/UP** button to select the **Master** or **Slave**. Once the mode has been selected, press the **ENTER** button to setup, to go back to the functions without any changes press the **MENU** button again. Hold and press the **MENU** button for one second or wait for one minute to exit the menu mode.

Factory Setting

To select the **Factory Setting**, press the **ENTER** button to show **FACTORY SETTING** on the display, use the **DOWN/UP** button to select **No** (keep the present setting) or **Yes** (the fixture will reset to factory settings and exit menu mode). To go back to the functions without any changes press the **MENU** button again. Hold and press the **MENU** button for one second or wait for one minute to exit the menu mode.

8. HOW TO CONTROL THE UNIT

You can operate the unit in five ways:

1. Universal DMX controller
2. RDM.
3. Master/Slave.
4. Art-Net.
5. Manual.

8.1 DMX Address Setting

If you use a universal DMX controller to control the units, you have to set DMX address from 1 to 512 so that the units can receive DMX signal. Press the **MENU** button to enter menu mode, select **DMX Functions**, press the **ENTER** button to confirm, use the **UP/DOWN** button to select **DMX Address**, press the **ENTER** button to confirm, the present address will blink on the display, use the **UP/DOWN** button to adjust the address from 001 to 512, and press the **ENTER** button to store. Press the **MENU** button back to the last menu or let the unit idle 7 seconds to exit menu mode. Please refer to the following diagram to set the DMX address for the first 4 units

| Channel Mode | Unit 1 Address | Unit 2 Address | Unit 3 Address | Unit 4 Address |
|--------------|----------------|----------------|----------------|----------------|
| 1 Channels | 1 | 2 | 3 | 4 |
| 2 Channels | 1 | 3 | 5 | 7 |
| 3 Channels | 1 | 4 | 7 | 10 |
| 4 Channels | 1 | 5 | 9 | 13 |
| 5 Channels | 1 | 6 | 11 | 16 |

8.2 DMX Configuration

1 Channel Mode

| CHANNEL | VALUE | FUNCTION |
|---------|---------|----------------------------|
| 1 | | DIMMER |
| | 0 – 255 | Close → Open (0% ~ 100%) |

2 Channel Mode

| CHANNEL | VALUE | FUNCTION |
|---------|---------|--|
| 1 | | DIMMER |
| | 0 – 255 | Close → Open (0% ~ 100%) |
| 2 | | Strobe |
| | 000-009 | Open |
| | 010-057 | Strobe (variable speed) |
| | 058-059 | Open |
| | 060-108 | Pulse Slow closing fast opening variable speed |
| | 109-110 | Open |
| | 111-159 | Pulse fast closing slow opening variable speed |
| | 160-161 | Open |
| | 162-207 | Random Strobe Slow to Fast |
| | 208-209 | Open |
| | 210-253 | Random Pulse Slow to Fast |
| | 254-255 | Open |

3 Channel Mode

| CHANNEL | VALUE | FUNCTION |
|---------|---------|---------------------------------|
| 1 | | DIMMER |
| | 0 – 255 | Close → Open (0% ~ 100%) |
| 2 | 0 – 255 | Dimmer Fine 0% ~ 100% |

4 Channel Mode

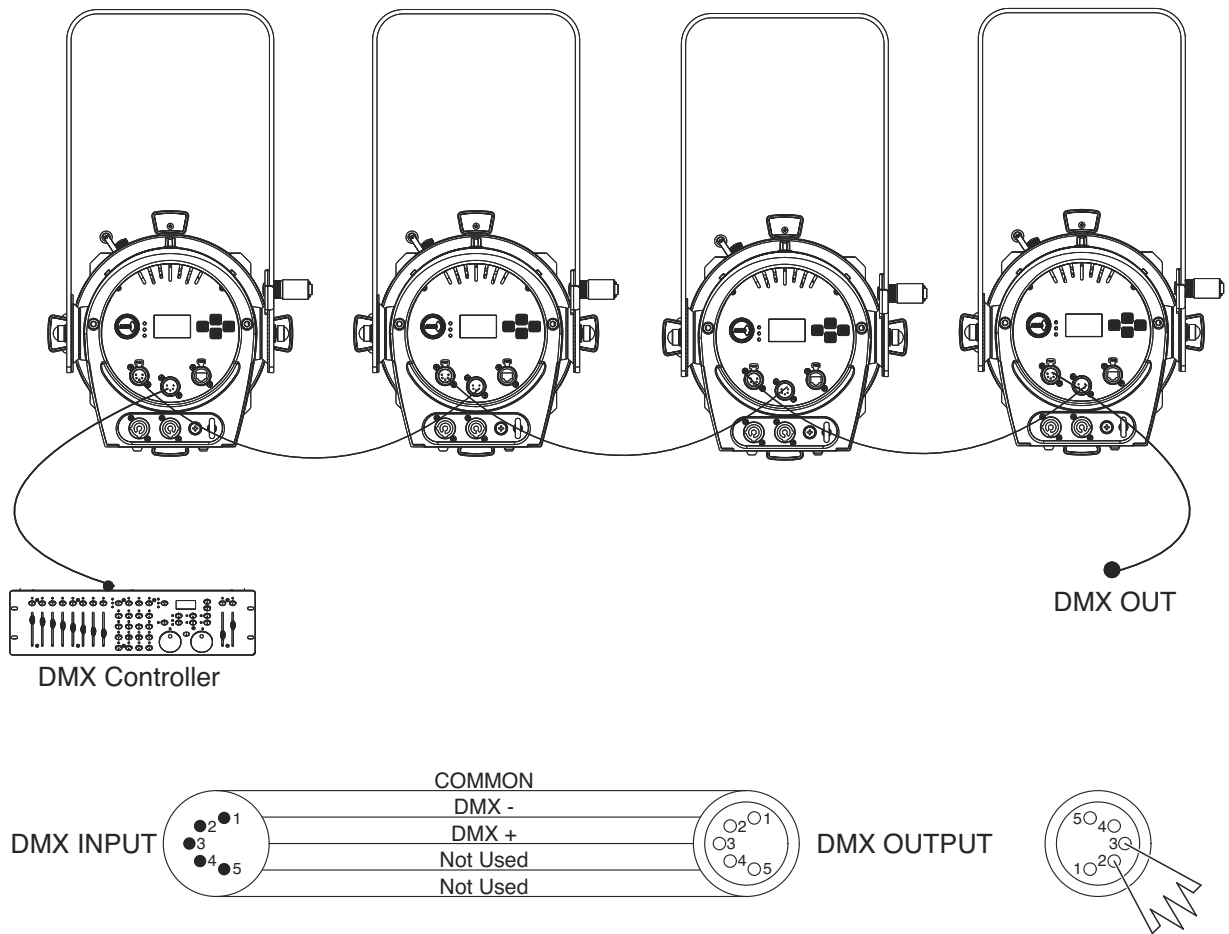
| CHANNEL | VALUE | FUNCTION |
|---------|-----------|--|
| 1 | | DIMMER |
| | 0 – 255 | Close → Open (0% ~ 100%) |
| 2 | | Dimmer Fine |
| | 0 – 255 | 0% ~ 100% |
| 3 | | Strobe |
| | 000 - 009 | Open |
| | 010-057 | Strobe (variable speed) |
| | 058-059 | Open |
| | 060-108 | Pulse Slow closing fast opening variable speed |
| | 109-110 | Open |
| | 111 -159 | Pulse fast closing slow opening variable speed |
| | 160-161 | Open |
| | 162-207 | Random Strobe Slow to Fast |
| | 208-209 | Open |
| | 210-253 | Random Pulse Slow to Fast |
| | 254-255 | Open |

5 Channel Mode

| CHANNEL | VALUE | FUNCTION |
|---------|-----------|--|
| 1 | | DIMMER |
| | 0 – 255 | Close → Open (0% ~ 100%) |
| 2 | | Dimmer Fine |
| | 0 – 255 | 0% ~ 100% |
| 3 | | Strobe |
| | 000 - 009 | Open |
| | 010-057 | Strobe (variable speed) |
| | 058-059 | Open |
| | 060-108 | Pulse Slow closing fast opening variable speed |
| | 109-110 | Open |
| | 111-159 | Pulse fast closing slow opening variable speed |
| | 160-161 | Open |
| | 162-207 | Random Strobe Slow to Fast |
| | 208-209 | Open |
| | 210-253 | Random Pulse Slow to Fast |
| | 254-255 | Open |
| | 4 | |
| 000-009 | | No function |
| 010-045 | | RDM ON |
| 046-080 | | RDM OFF |
| 081-115 | | Dimmer Speed smooth |
| 116-150 | | Dimmer Speed auto |
| 151-235 | | Reserved |
| 236-240 | | Curve Quadratic |
| 241-245 | | Curve Linear |
| 246-250 | | Curve Inv Square Law |
| 251-255 | | Curve S |

8.3 DMX Connection

7



1. At last unit, the DMX cable has to be terminated with a terminator. Solder a 120-ohm 1/4W resistor between pin 2(DMX-) and pin 3(DMX+) into a 5-pin XLR-plug and plug it in the DMX-output of the last unit.
2. Connect the unit together in a "daisy chain" by XLR plug cable from the output of the unit to the input of the next unit. The cable cannot be branched or split to a "Y" cable. DMX 512 is a very high-speed signal. Inadequate or damaged cables, soldered joints or corroded connectors can easily distort the signal and shut down the system.
3. The DMX output and input connectors are pass-through to maintain the DMX circuit, when one of the units' power is disconnected.
4. Each lighting unit needs to have a DMX address to receive the data by the controller. The address number is between 0-511 (usually 0 & 1 are equal to 1).
5. The end of the DMX 512 system should be terminated to reduce signal errors.
6. 5 pin XLR: Pin 1: GND, Pin 2: Negative signal (-), Pin 3: Positive signal (+), Pin4, Pin5 not used

9. TROUBLESHOOTING

Following are a few common problems that may occur during operation. Here are some suggestions for easy troubleshooting:

A. The unit does not work, no light and the fan does not work

1. Check the connection of power and main fuse.

B. Not responding to DMX controller

1. DMX LED should be on. If not, check DMX connectors and cables to see if link properly.
2. If the DMX LED is on but no response check the address settings and DMX polarity.
3. If you have intermittent DMX signal problems check the cables on connectors.
4. Try to another DMX controller.
5. Check if the DMX cables run near or run alongside high voltage cables that may cause interference to DMX circuits.

C. Some units don't respond to the easy controller

1. You may have a break in the DMX cabling. Check the LED for the response of the master/ slave mode signal.
2. Wrong DMX address in the unit. Set the correct address.

D. No response to the sound

1. Make sure the unit is set into the correct mode.
2. Check the microphone to see if it is good by tapping it.
3. Make sure the fixture is not set into Blackout mode.

10. FIXTURE CLEANING

The cleaning of external must be carried out periodically to optimize light output. Cleaning frequency depends on the environment in which the fixture operates: damp, smoky or particularly dirty surrounding can cause greater accumulation of dirt on the fixture's optics.

- Clean with soft cloth using normal glass cleaning fluid.
- Always dry the parts carefully.
- Clean the external optics at least every 30 days.

