

## KC50/KC50N(NDI Version)

### Advanced PTZ Camera Controller

4D joystick

PVW

Shortcuts

P/T/Z control

WBC/Exposure/Focus control

Customized Knob+5.5" LCD

NDI®|HX3 Optional



## Product Features

### ■ Four-dimensional precision joystick + 3D scale knob + Ergonomic Zoom key:

Adjust key camera parameters such as white balance, exposure, focus, and zoom.

### ■ Built-in 5.5" full HD LCD display:

Supports real-time preview of the current camera feed via streaming protocols (NDI®|HX3 and RTSP); streaming supports up to 4Kp30 ultra-high-definition video streams and camera preset position preview.

### ■ Support HDMI output for large-screen display:

Outputs the current camera feed to a monitor for real-time preview via the HDMI interface, supporting up to 4Kp30 ultra-high-definition resolution.

**■ Supports 7 camera selection shortcuts:**

Allows quick setup of 7 camera selection shortcuts based on your needs, with support storing information for up to 1000 cameras.

**■ Camera Path Recording & Playback:**

Real-time recording of PTZ camera movement trajectories with one-touch playback, supports up to 255 path storage, accurately reproduces complex inspection paths, suitable for automated inspection and filming scenarios.

**■ Brand-new UI operation interface and WEB control backend:**

The new UI operation interface supports remote customization of functions and parameter configurations via the WEB backend, as well as device upgrades by web page.

**■ Remote PTZ camera menu operation:**

Quickly open the current camera menu, and achieve function operation in combination with joystick and preview screen or screen display, supporting the activation or deactivation of camera AI functions and switching AI tracking modes.

\*This feature is recommended to be used with same brand's cameras.

**■ White and red dual-color backlit silicone buttons:**

High-quality silicone with excellent tactile feedback, supporting white and red backlight for smooth operation in low-light environments. It supports the input of letters and common characters, allows for camera naming, address editing, and other operations.

**■ Supports one-key lock button:**

A one-key lock button effectively reduces misoperation.

**■ Multiple control protocols, suitable for most scenarios:**

Supports VISCA, VISCA Over IP, VISCA TCP, PELCO P/D, Onvif, and NDI® (optional) control protocols, with automatic protocol recognition.

**■ Rich interfaces, multiple connection methods:**

Equipped with external RS-232, RS422/485 serial ports, and RJ45 network interfaces. The network interface supports POE functionality, reducing wiring hassles.

**■ External Tally interface:**

Support up to 7 tally channels.

**■ Support customized knobs Function:**

Supports F1, F2, F3, F4 knob custom camera's image effect adjustment functions, with corresponding LCD screens displaying knob functions below each knob, allowing for optimal operation function settings according to user needs.

**■ Remote control of PTZ camera AI functions:**

Quickly activate or deactivate the AI function of the current camera, and switch the camera AI mode (this feature requires our AI function-supported cameras).

## Specifications

Specifications	
Joystick	4D precision joystick
Knob	3D knob, support scale rotation to adjust the parameters, support customized functions
Preview	Supports real-time preview of the camera feed and preview of preset position images.
Silicone Buttons	High-quality silicone buttons support white and red two-color backlight
Screen	5.5" LCD color display
Display	The HDMI interface supports displaying output at 4Kp30 Ultra HD resolution
Shortcuts	Support 7 camera shortcut settings
Sound	The sound of the button prompts on/off
Lock	Support one-click locking function
Max. No. of cameras can be saved	1000
Max. No. of preset positions can be saved	255
Customized Knob	
Navigation	Support
Gain Limit	Support
Max. shutter speed	Support
Min. shutter speed	Support
Auto exposure speed	Support
Exposure compensation	Support
BLC	Support
IR switch filter	Support
ND filter	Support
WBC speed	Support

Gama curve	Support
Gama offset	Support
Gama Pattern	Support
AI Gesture Recognition	Support
AI Bounding Box Display	Support
Track Record	Support
Track Call	Support
Track Delete	Support
Camera	Support
User instructions	Support
<b>Control</b>	
Control interface	RJ45(Support POE and NDI®  HX3 (Optional)), RS-232, RS-422/485
IP control protocol	Onvif, VISCA Over IP, VISCA TCP, NDI® ( Optional )
Serial port control protocol	VISCA, Pelco D, Pelco P
<b>Power Supply</b>	
Input Voltage	12V
Input Current	0.7A
POE	802.3af
Rated power	8.4W
<b>Other</b>	
Tally	Support up to 7 channels
HDMI Interface	External Display Device
USB Interface	Upgrade using an external USB flash drive
Usage Environment	Indoor
Working Temperature	-10℃-40℃
Storage Temperature	-20℃-60℃
External Dimensions	354*165*121mm (including joystick height)
Net Weight	1.5kgs

## Application



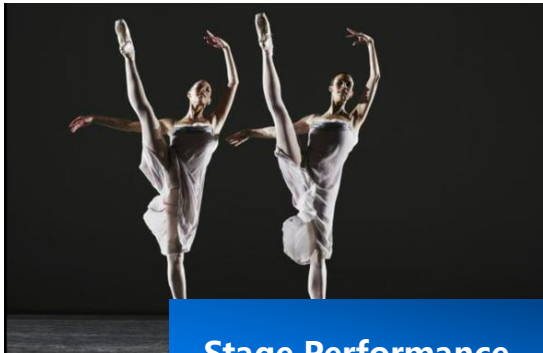
**Professional Gaming**



**Church Recording**



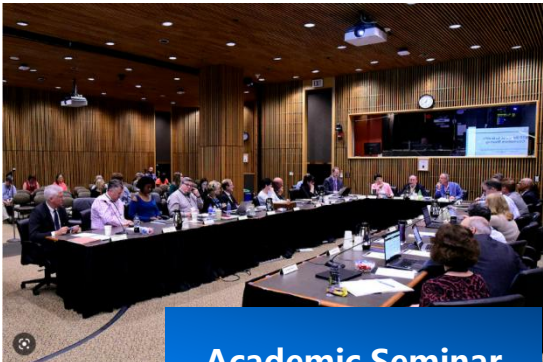
**Radio and Television**



**Stage Performance**

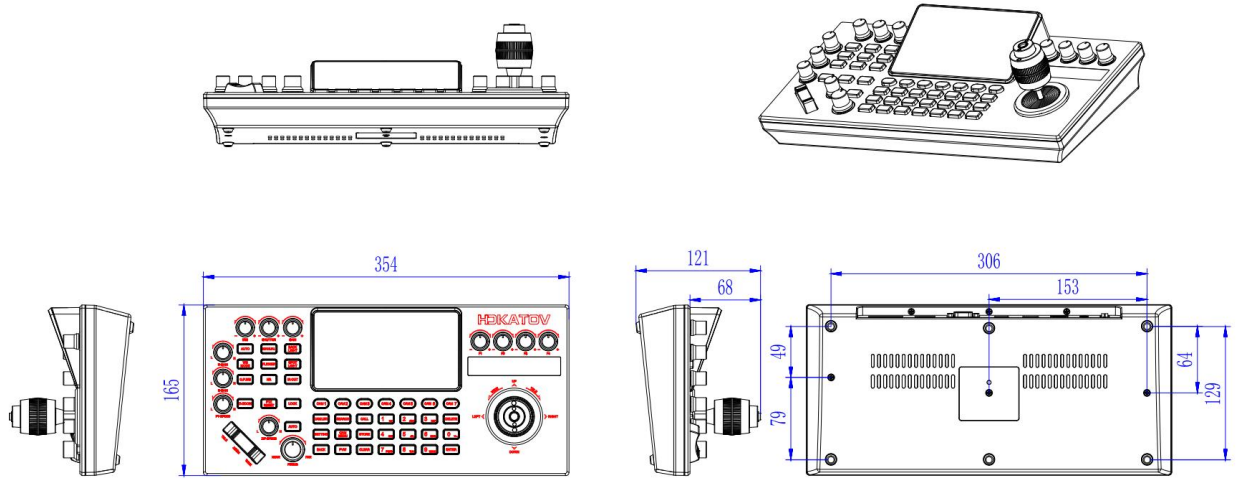


**Sports Events**



**Academic Seminar**

## Dimension



## Connection

